



 **Heating circuits HeatBloC® ECO –
DN 25 / DN 32**





HeatBloC® ECO, mixed and unmixed DN 25 / DN 32



Example: DN 32



Application ranges

HeatBloC® ECO unmixed:

for boiler charging and modulating temperature heating systems

HeatBloC® ECO mixed:

for low-temperature heating systems controlled by a mixing valve

All HeatBloC®s ECO offer the following advantages:

Premounted groups of fittings for heating circuits

High flexibility during assembly

Ball valve with full port, gaskets of the spindle can be replaced during operation

Flat-sealing connections

Choose between union nuts made of brass or malleable cast iron
For the assembly on brass or steel distribution manifolds

EnEV-compliant functional insulation

made of permanently elastic EPP, complete insulation of the valves and fittings, ventilation opening to cool the pump

Free access to the pump head

Check valve in the return pipe

can be opened, 200 mm wc, spring-loaded, thus also suited for horizontal and overhead installation

Mixing valve with suitable actuator

Easy assembly and disassembly thanks to the smart PAW snap-in mechanism

Immersion thermometer with handle

can be pulled off, with an immersion sleeve integrated in the ball valve, 0–120 °C

High-efficiency pump

fitted with 2 m cable, with serial number, ErP READY

The pump can be entirely isolated

No draining necessary during servicing

Serial number on the HeatBloC® ECO and the pump

Reliable identification, fast service

Detailed and illustrated operation instructions

Available in the following languages:



Further languages are available on request.

DN 25	ECO31 direct / unmixed	ECO34 with 3-way mixing valve with bypass 0–50 %	ECO32 3-way mixing valve
--------------	----------------------------------	---	------------------------------------



up to 40 kW*



up to 35 kW*



up to 35 kW*

DN 32	ECO31 direct / unmixed	ECO34 with 3-way mixing valve with bypass 0–50 %
--------------	----------------------------------	---

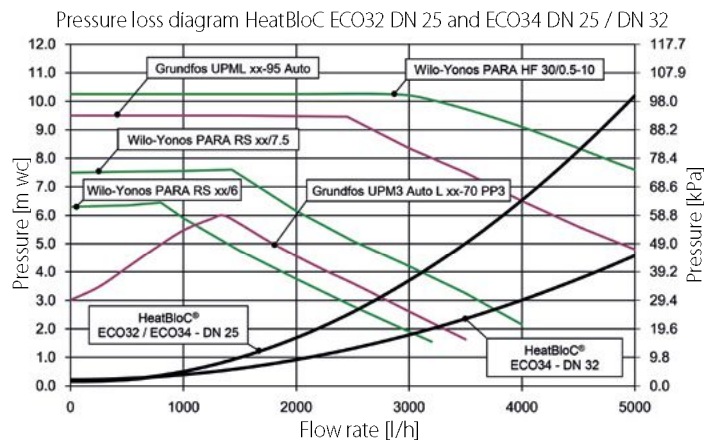
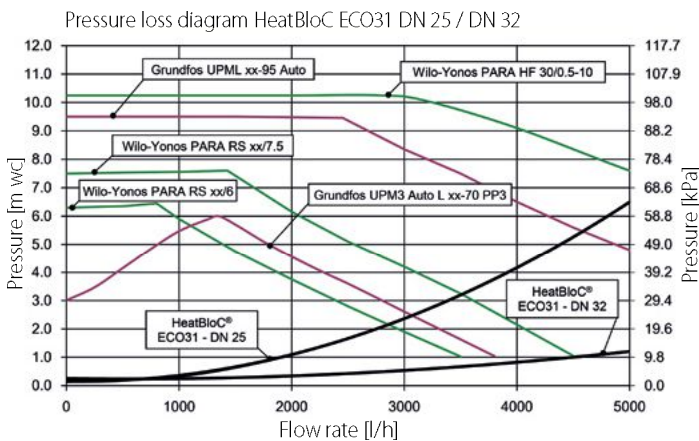


up to 65 kW*



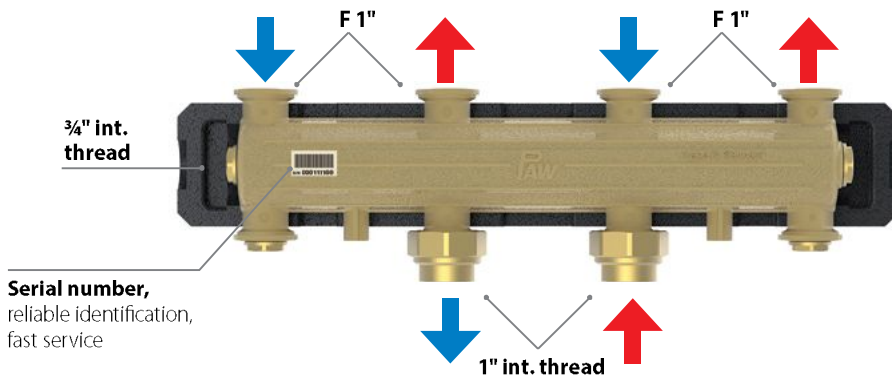
up to 50 kW*

Technical data		
HeatBloC® ECO	DN 25	DN 32
Valves and fittings	Brass	
Gaskets	EPDM / AKJ 9000	
Insulation	EPP	
Nominal pressure	6 bars	
Max. operating temperature	110 °C	
Connection generator	1 ½" ext. thread, flat sealing	2" ext. thread, flat sealing
Connection consumer	1" int. thread	1 ¼" int. thread
Centre distance	125 mm	
Width	250 mm	
Installation length	342 mm	400 mm
Kvs value		
HeatBloC® ECO 31	6.3	15.1
HeatBloC® ECO 32	5.0	/
HeatBloC® ECO 34	5.0	7.5





Brass distribution manifold DN 25 2-fold / 3-fold



Advantages of the brass distribution manifold

- ✓ completely made of brass
- ✓ completely pre-assembled
- ✓ completely insulated with EPP shells
- ✓ low hydraulic resistance
- ✓ wall bracket, connection set for diaphragm expansion tank and safety group as accessories
- ✓ serial number: reliable identification, fast service



Technical data distribution manifold – DN 25, 2-fold / 3-fold

Valves and fittings	Brass
Gaskets	EPDM / AKJ 9000
Insulation	EPP shells
Nominal pressure	6 bars
Max. operating temperature	110 °C
Kvs value	12.5
Connections	1" flange for union nut 1 1/2"
Lateral connection	3/4" int. thread, sealed with plug, for safety group and diaphragm expansion tank
Centre distance	125 mm
Installation height	104 mm



Hydraulic separator DN 25 / DN 32

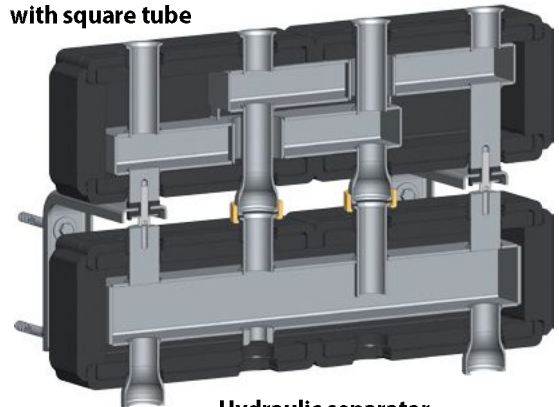
DN 25



DN 32



Distribution manifold with square tube



Advantages of the hydraulic separator

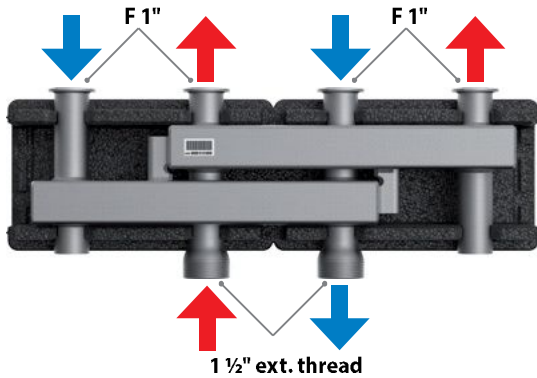
- ✓ optimum temperature measurement
- ✓ high Kvs value
- ✓ consistent flow conditions
- ✓ perfect fit of the hydraulic separator and the distribution manifold, assembly one below the other is possible
- ✓ same design of the separator and the manifold = use of one insulation
- ✓ long service life thanks to high-quality electrogalvanising
- ✓ no mixing of the flow and return

Technical data

Hydraulic separator	DN 25	DN 32
Connections	F 1" + 1 1/2" ext. thread	F 1 1/2" + 2" ext. thread
Distance between connecting pieces	HC* = 125 mm; BC* = 375 mm	
Range of performance	70 kW**	115 kW**
Max. flow rate	3 m³/h	5 m³/h
Max. pressure	6 bars	
Max. temperature	110 °C	

*HC = heating circuit, BC = boiler circuit,
**at ΔT = 20 °C

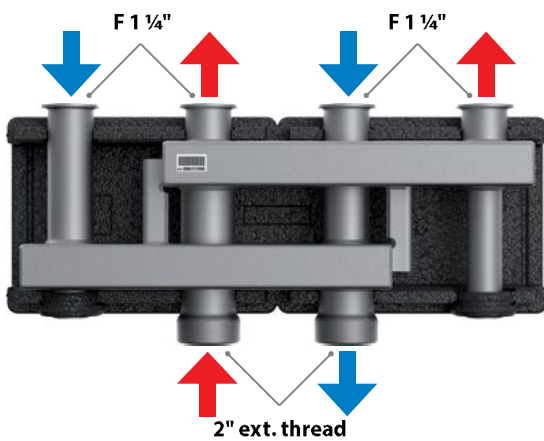
DN 25: 2-fold



DN 25: 2-fold, with front shell



DN 32: 2-fold



DN 32: 2-fold, with front shell



Technical data steel distribution manifold

DN 25	2-fold – F 1"	3-fold – F 1"	4-fold – F 1"
Connections	F 1" + 1 1/2" ext. thread		
Distance between connecting pieces	125 mm		
Range of performance	70 kW*		
Max. flow rate	3 m ³ /h		
Kvs value	23		
Max. pressure	6 bars		
Max. temperature	110 °C		

DN 32	2-fold – F 1 1/4"	3-fold – F 1 1/4"	4-fold – F 1 1/4"
Connections	F 1 1/4" + 2" ext. thread		
Distance between connecting pieces	125 mm		
Range of performance	115 kW*		
Max. flow rate	5 m ³ /h		
Kvs value	52	53	
Max. pressure	6 bars		
Max. temperature	110 °C		

*bei ΔT = 20 °C

Advantages of the steel distribution manifold

- ✓ completely pre-assembled
- ✓ completely insulated with EPP shells
- ✓ low hydraulic resistance
- ✓ thermal separation between the flow and return chamber
- ✓ long service life thanks to high-quality electrogalvanising
- ✓ flange connection
- ✓ high production quality
- ✓ excellent price-performance ratio
- ✓ serial number: reliable identification, fast service



All standard HeatBloC® ECO heating circuits are equipped with an insulation, with ball valves with replaceable spindle gaskets and with removable thermometer handles.

All further components can be chosen individually according to your needs and wishes (see the selection table on the right).

Unmixed heating circuit:



Mixed heating circuit:



A Pump unmixed heating circuit



DN 25:

- Wilo-Yonos PARA RS 25/6
- Wilo-Yonos PARA RS 25/7.5
- Grundfos UPM3 Auto L 25/70
- Grundfos UPML 25-95 Auto
- without pump

DN 32:

- Wilo-Yonos PARA RS 30/6-RKA
- Wilo-Yonos PARA HF 30/0.5-10
- Grundfos UPM3 Auto L 32-70
- Grundfos UPML 32-95 Auto
- without pump

A Pump mixed heating circuit



DN 25:

- Wilo-Yonos PARA RS 25/6
- Wilo-Yonos PARA RS 25/7.5
- Grundfos UPM3 Auto L 25/70
- Grundfos UPML 25-95 Auto
- without pump

DN 32:

- Wilo-Yonos PARA RS 30/6-RKA
- Wilo-Yonos PARA HF 30/0.5-10
- Grundfos UPM3 Auto L 32-70
- Grundfos UPML 32-95 Auto
- without pump

B Return pipe

- Brass
- Steel

C Connections

- Brass nuts
- Malleable cast iron nuts

D ECO insulation, black

- Insertable plate with PAW logo
- Neutral insertable plate
- Insertable plate with customer logo

E Installation and Operation Instructions

- PAW standard instruction manual: with PAW logo, PAW address, PAW standard text
- Standard customer-specific instruction manual: with customer logo, customer address, PAW standard text
- Special customer-specific instruction manual: with customer logo, customer address, customer-specific image and text adaptation
- The customer compiles the instruction manual

Languages

- German
- English
- French
- Italian
- Spanish
- Other languages:

Instruction manual provided by:

- PAW
- Customer

F Mixing valve

- without bypass
- with bypass
- Actuator (mandatory for mixed heating circuit)

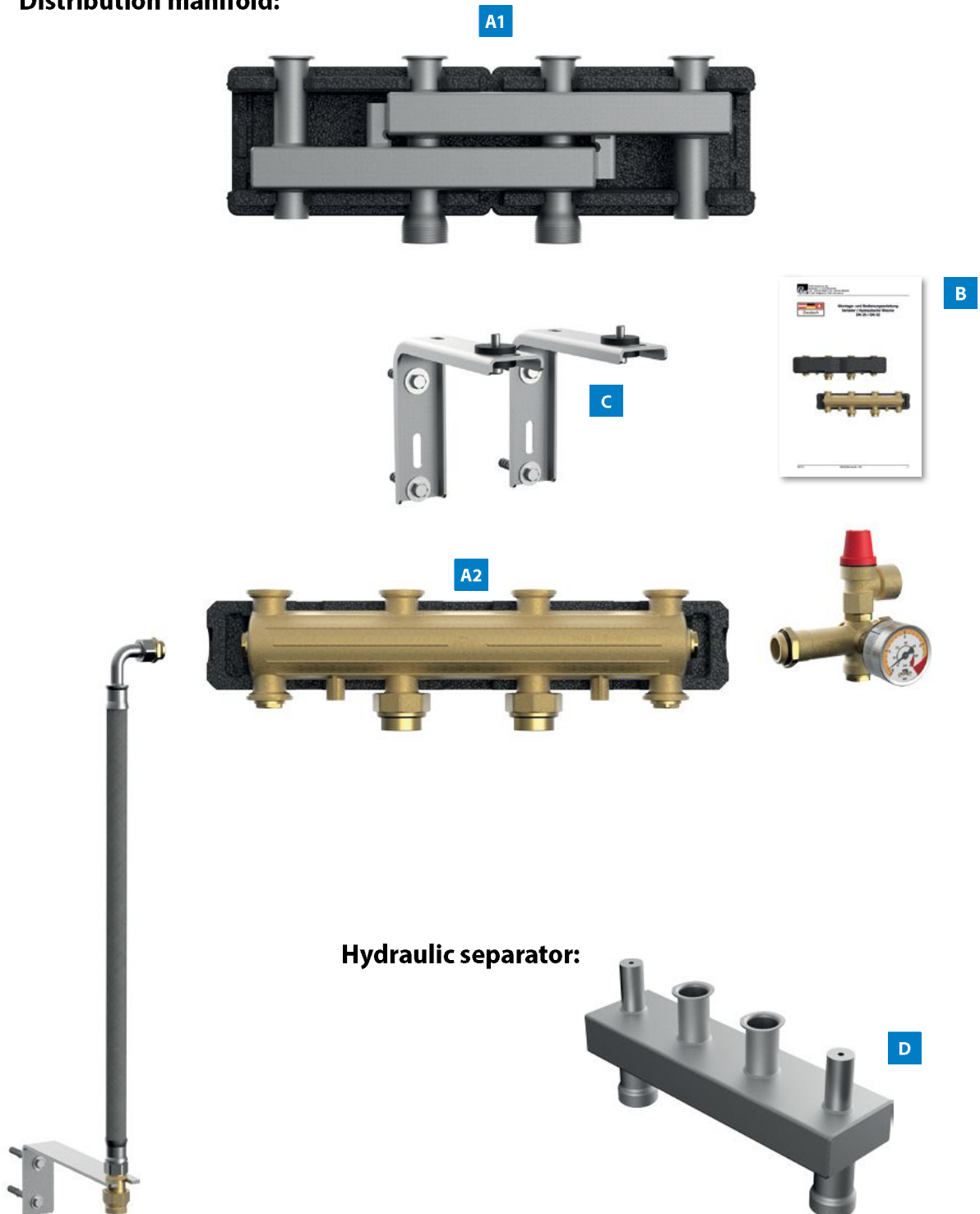
Optional accessories:

G Fixing element DN 25 / DN 32

- 1** Wall bracket with stop bolt, for a single heating circuit
- 2** Acoustic decoupling with clip for a fixing via stair bolts

The distribution manifolds are available in brass or steel and are equipped as standard with an insulation. Further accessories, such as the fixing element or the hydraulic separator, can be chosen individually according to your needs and wishes (see the selection table on the right).

Distribution manifold:



Hydraulic separator:



A Distribution manifold

1 Steel distribution manifold DN 25:

- Steel distribution manifold, 2-fold
- Steel distribution manifold, 3-fold
- Steel distribution manifold, 4-fold

Steel distribution manifold DN 32:

- Steel distribution manifold, 2-fold
- Steel distribution manifold, 3-fold
- Steel distribution manifold, 4-fold

2 Brass distribution manifold DN 25:

- Compact distribution manifold 2-fold / 3-fold (connection to heating circuits DN 32 is also possible)

Accessories for brass distribution manifold:

- Connection set for diaphragm expansion tank with cap valve for shutoff
- Safety group 50 kW

B Installation and Operation Instructions

- PAW standard instruction manual: with PAW logo, PAW address, PAW standard text
- Standard customer-specific instruction manual: with customer logo, customer address, PAW standard text
- Special customer-specific instruction manual: with customer logo, customer address, customer-specific image and text adaptation
- The customer compiles the instruction manual

Languages

- German
- English
- French
- Italian
- Spanish
- Other languages:

Instruction manual provided by:

- PAW
- Customer

Optional accessories:

C Fixing element DN 25 / DN 32

- Wall bracket for the mounting of the distribution manifold / hydraulic separator

D Hydraulic separator

- DN 25 (70 kW)
- DN 32 (70 kW)



**Your partner for thermal
comfort and sustainability.**
Yesterday. Today. Tomorrow.



Offer specifications – your contact information



Company

Street, no.

Postal code, town

Country

Batch size

Estimated annual order quantity

Notes on packaging and labels:

Customer number

Phone

E-mail

heating circuits

heating circuits

Notes on dispatch (pallet height, maximum weight):



PAW GmbH & Co.KG

Böcklerstraße 11
D-31789 HAMELN
GERMANY

☎ +49-5151-9856-0

☎ +49-5151-9856-98

@info@paw.eu

🌐 www.paw.eu

99443x0xx-fly-en

Version: V01 • Issued: 01/2018 • Printed in Germany

We reserve the right to make technical changes without notice